

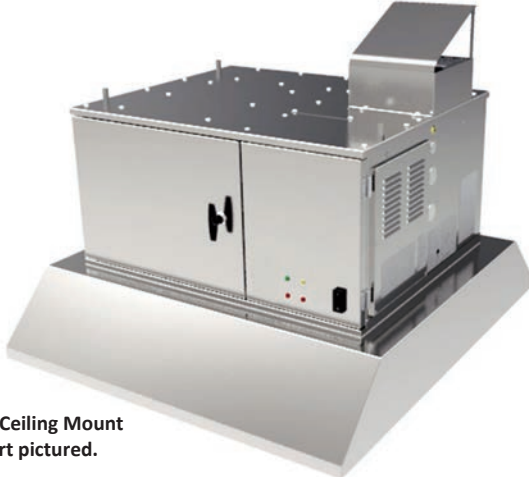


PROVEN & TRUSTED SINCE 1952

Project Name/No: _____ Item No: _____

Quantity: _____ SIS#: _____ AIA/CSI#: _____

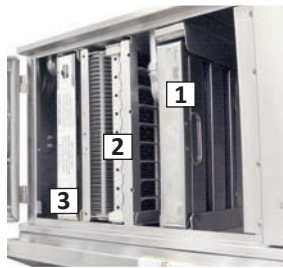
Ventless Oven Hood Model OVH-10



Universal Ceiling Mount (UCM) Skirt pictured.

- Simple, compactly designed, ventless hood solution for use with small electric ovens ... conveyor, convection, pizza, rotisserie, etc.
- Venting to outside not needed ... generally, can be used where conventional ventilation hood solutions are prohibited or too costly for the budget ... *however, vented hood solutions should always be the considered as the first alternative.*
- Durable stainless steel construction.
- Proven 3-stage air cleaning; Baffle Filter, Electronic Air Cleaner & Charcoal Filter for odor control. Listed to **UL KNLZ (-7 for Canada), complies w/ ANSI/UL 197 & ANSI/NFPA 96 - EPA 202 as per ANSI/UL 710B requirements.**
- *Optionally*, hood can be factory pre-plumbed for connecting a *customer-supplied Ansul® R102 wet chemical fire suppression system.*

Design Features:



Ventless Hood System with 3-Stage Air Cleaning:

- [1] Stainless steel baffle filter traps larger grease particulate.
- [2] Sustainable, electronic air cleaner (E.A.C.) electrostatically captures fine particulate, collecting it on fins in the cell.
- [3] Disposable charcoal filter helps control cooking aroma.

Standard Features:

- Built-in appliance power interlock relay.
- Hinged, easy-open filter access door w/positive latch.
- Exhaust air diverter ... reduces required ceiling clearance.
- **PUSH-TO-START** switch, hood must be restarted manually any time power is interrupted.
- Complete set of filters included.

Available Options:

- Fire suppression system pre-plumb ... factory-installed piping, nozzles, detector link brackets & conduit.
- Hood power cord w/plug & interlocked appliance power receptacle.
- HEPA filter alternative.
- 50-hz WYE, 5-wire, for international installations.

Numerous different hood skirt concepts have been engineered, which allow direct mounting of hood to specific oven models from various manufacturers. Contact a GILES representative, or call the factory, to see if there is one available. If not, it may be possible to have one designed for a particular application (*Engineering fees may apply*).

Appliance Limitations: **IMPORTANT! HOOD LISTED ONLY FOR USE WITH ELECTRICALLY HEATED APPLIANCES ... NO GAS**

Equipment Type	Max. Input Power (kW)	Clearances		
		Skirt Bottom to Top of Door or Conveyor Belt	Skirt Bottom to Top of Oven	Skirt Overhang @ Heated Oven Opening
Ovens	11.5	6" [153mm] max.	1" [25.4mm] min.	6" [153mm] min.
Conveyor Ovens	11.5	30" [762mm] max.	1" [25.4mm] min.	6" [153mm] min.
Rotisseries	6.2	6" [153mm] max.	1" [25.4mm] min.	6" [153mm] min.

IMPORTANT INFORMATION !!

Orders for GILES Recirculating/Ventless Hood systems will not be accepted until Giles verifies ... 1). the Purchaser has received all necessary approvals from local authorities ... 2). the cooking appliances to be used are within the hood's listing limitations ... 3). the Purchaser is aware of specific requirements & limitations with which installation must comply, as stated in the GFSE Recirculating/Ventless Hood Approval Letter (HAL). The Approval Letter must be fully completed & submitted, along with any other requested information, and must be approved by Giles Technical Services personnel before an order will be accepted.

The HAL document is available for review & download by clicking here:

[HOOD APPROVAL LETTER](#)

GILES Food Service Equipment ▪ ISO 9001-2015 Registered

PO Box 210247; 2750 Gunter Park Drive W; Montgomery, AL 36109 USA

334.272.1457 ▪ Fax 334.239.4117 ▪ Toll Free 800.554.4537 (US/Canada Only) ▪ www.gfse.com ▪ Email: services@gfse.com

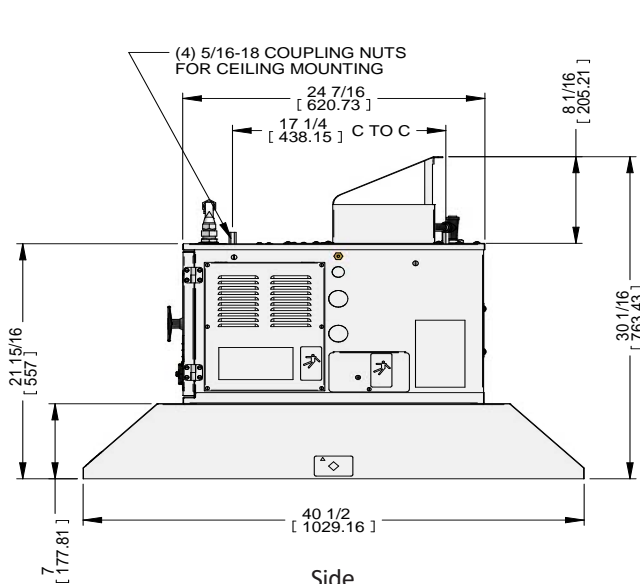
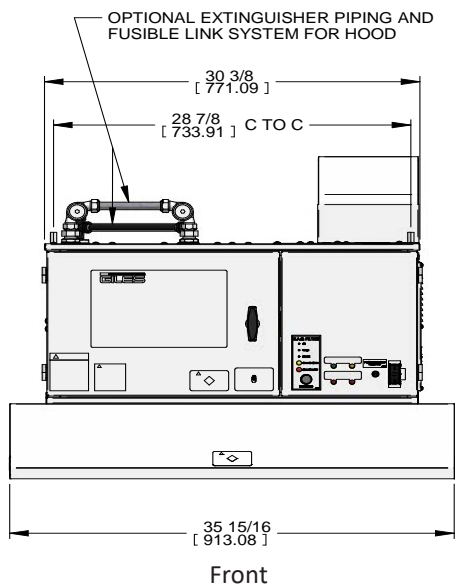
Printed in USA, Form 65778 (Rel. Date: Nov.2000; Rev. Date: Feb.2020, Rev. P)

Ventless Oven Hood

Model OVH-10

Project Name/No: _____ Item No: _____

Quantity: _____ SIS#: _____ AIA/CSI#: _____



NOTE:
Universal Ceiling Mount (UCM) skirt is shown. Other styles will have different overall dimensions.

Inches [mm]

Specifications

Construction: Exterior structure 18, 20-ga high-grade, stainless steel ... Interior structure 18-ga aluminized steel

Dimensions: Hood with UCM Skirt, other styles differ		
Width	Depth	Height
35-15/16" [913mm]	40-1/2" [1029mm]	30-1/16" [764mm]

Electrical Specifications: (Hood Only)		
Voltage	Phase	Amps
208-240	1 or 3	3

• Std: Power cord NOT provided; field wired.
 • Option: Power cord with plug is available (see Hood Options).

Ventless Hood:

- Exhaust CFM: 215 - 307
- Approx. Sound Level: 65 dB
- Uncrated Weight: 170 lbs [77 kg] (will vary with skirt style)

Shipping Specifications:

Width	Depth	Height	Cube	Crated Weight
49" [1245mm]	47" [1194mm]	33" [838mm]	43.9 ft cu [1.24 cu m]	232 lbs [105 kg]

Included Accessories:

- (1) Baffle Filter • (1) EAC Filter Cell • (1) Charcoal Filter • (1) Can, Spray Foam EAC Cell Cleaner (sample)

IMPORTANT! Before Ordering

- Purchaser must obtain, read, complete, and submit the Giles Hood Approval Letter (HAL) for approval. By signing the HAL, purchaser affirms that the intended installation site has been assessed and that it is in compliance with the minimum requirements, stated therein ... kitchen size, ceiling height, fresh outside air supply, room air exchange rate, exhaust ventilation, clearances, etc.
- Verify that appliances to be used are within limitations shown in the table on first page ... contact factory if there are questions.
- Does available electrical power meet hood specifications?
- Consider hood options ... see following page.

How to Specify: OVH-10, UCM

✓	Item No.	Description	Voltage	Hz	Ph	Mount	*Application
	79873	OVH-10, UCM (Universal Ceiling Mt.)	208-240	60	1	Ceiling Suspended	Universal

* See Appliance Limitations on front page

Call GILES factory to check on availability of an OVH-10 Hood with an **appliance-specific** skirt designed for direct mounting to your particular equipment.

Available Hood Options

◇ **Fire Extinguishing System** - code authorities in some locales may require that oven hoods to be equipped with fire suppression. This option provides factory-installed piping, nozzles, detector link brackets & conduit ... hood will be ready for connection to the approved *Ansul® R-102* wet chemical extinguishing system. **Customer provides the system, field installation, final set-up and commissioning ... must be supplied and installed by an authorized Ansul® Distributor/Dealer ... not included with hood purchase.**

◇ **Power Cord w/Plug & Receptacle** - interlocked appliance power receptacle & hood power cord w/plug. **50A maximum** appliance load. Can simplify installation ... generally may eliminate field wiring.

◇ **50-Hz WYE Wiring** - international applications requiring **50-Hz, WYE** electrical configuration (4-wire + grnd).

◇ **HEPA Filter** - alternative to the standard *Electronic Air Cleaner (E.A.C.)*. Utilizes a consumable, replaceable HEPA filter to provide air filtration. **Filter cannot be cleaned**; must be replaced periodically. **NOTE: This option may not be suitable for all applications; please contact Giles for additional information.**

Specify factory-installed options ... select from table below, use a combination if needed

To specify option, add the desired *Option Code(s)* to the base Item Number as: **XXXXX-3, XXXXX-35**, etc.

Use base item number **ONLY** for the standard hood.

✓	Option Code	Description
	NONE	STANDARD - NO OPTIONS
	3	FIRE EXTINGUISHING SYSTEM PIPING & LINK CONDUIT
	4	PLUG & RECEPTACLE, 1-PH, 50A, NEMA 6-50
	5	PLUG & RECEPTACLE, 3-PH, 50A, NEMA 15-50
	6	50-Hz POWER
	8	HEPA FILTER VERSION

Specify ONLY one or the other per hood for this option

Specify Additional Accessories - Sold separately (specify quantity)

Qty.	Part No.	Description
	22360	E.A.C. COLLECTOR CELL
	31963	CHARCOAL FILTER
	45096	BAFFLE FILTER, 16 X16
	41510	FOAMING SPRAY E.A.C. CELL CLEANER (12-CT CASE, 20-OZ CANS)

Specifications and/or product design are subject to change without notice. Such revisions do not entitle the buyer to corresponding changes, improvements, additions or replacements for previously purchased equipment.

