



Project Name/No: _____ Item No: _____

Quantity: _____ SIS#: _____ AIA/CSI#: _____

Electric Kettle Fryer

GEF-560



The **GEF-560 Electric Kettle Fryer** cooks up to 19 lbs. of crisp, moist fried chicken, quickly and easily every time. An easy to use Fryer that delivers delicious results and maximum profits, with minimum effort and expense.

- Durable stainless steel construction ... robust double-wall cabinet design w/liquid-resistant control panel.
- Conveniently mobile ... easily fits through most standard door openings.
- Circular heating elements, surround product with 10 kW of power for even and complete cooking.f
- Intuitive computer controller precisely controls and monitors operation. Features energy-saving **COOL Mode**, **BOIL-OUT** program, **FORCE-FILTER** control, **LOW OIL** detection, password protection and multi-language. Features programmable cooking presets for up to fifty (50) different menu items.
- Reliable automatic Basket Lift lowers & raises basket when cooking cycle begins and finishes.
- Enhanced safety interlocks for added fire safety.
- On-board oil filtration system features robust 1/2 HP Pump.
- Fits into limited space, easy to operate and maintain; has plenty of capacity to feed a hungry crowd and it's not just for chicken ... diversify your menu to include mouth-watering seafood, fried vegetables, or other tempting foods.
- **Optional**, Giles **KITCHENTRAC™** remote WiFi monitoring capability is available for this model.

Design Features



Automatic Basket Lift

Load, set and start cooking in one step. When cooking is done, the basket is automatically lifted out of the hot cooking oil, allowing for safe and easy unloading of product.

Built-in Oil Filtration System

Can complete a filter cycle in 5 minutes. Uses disposable paper filter media, or an optional reusable, stainless steel, filter screen. Allows for 1-step draining, pot cleaning and oil filtering. One turn of a valve automatically refills pot with filtered oil. This system will increase cooking oil life by at least 50%.



Standard Features:

- **2-Year Parts & Labor Warranty**
- Automatic Basket Lift
- Built-in oil filtration system
- Computer Cooking Controller
- High oil temperature safety limit control
- Drain Valve safety interlock ... built-in redundancy for added safety
- Low oil level safety interlock ... safeguards against accidental oil fire
- High element temperature safety shutdown
- Electro-polished stainless steel Basket
- Basket/Pot Cover
- Durable 5" Casters ... Front lock
- Heat-resistant Brush Set
- Product Stirring Utensil
- Waste Oil Discharge Hose
- Steel Crumb Scoop

Optional Feature



Optional Remote Monitoring with Giles' KITCHENTRAC™. Keep track of your cooking appliances with WiFi connectivity ... analyze operation, performance, activity, utilization, sales/menu trends, etc. all from any web connected device. **Activation and subscription fees apply.**

GILES Food Service Equipment ▪ ISO 9001 Registered

PO Box 210247; 2750 Gunter Park Drive W; Montgomery, AL 36109 USA

334.272.1457 ▪ Fax 334.239.4117 ▪ Toll Free 800.554.4537 (US/Canada Only) ▪ www.gfse.com ▪ Email: services@gfse.com

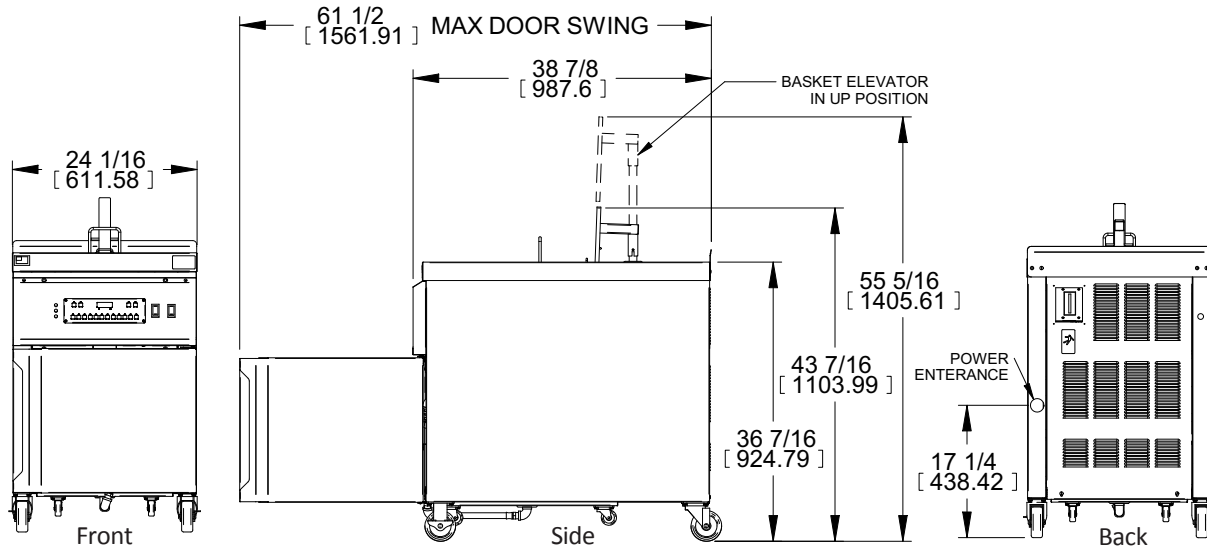
Printed in USA, 60962 (Rel. Date: Jul.2003, Rev. Date: Jun.2018, Rev. C)

Electric Kettle Fryer

GEF-560

Project Name/No: _____ Item No: _____

Quantity: _____ SIS#: _____ AIA/CSI#: _____



Inches [mm]

Specifications

Construction: 18 - 20 Ga. Stainless Steel ... Reversible Door swing ... Incoloy Tubular Heating Elements

Dimensions:					
Width	Depth	Height	Floor Space	Fry Pot	Fry Basket
24-1/16" [612]	38-7/8" [988]	43-7/16" [1104]	6.5 sq.ft [0.6 sq.m]	18-5/8" dia X 12-3/4" deep [473 mm X 324 mm]	14-3/4" dia X 10-1/4" deep [375 mm X 260 mm]

Electrical Specifications: (Service cord NOT provided)				
Watts	Voltage	Phase	Amps	Wire
15 kW	208	1	72	2 wire + Grnd
	240	1	63	2 wire + Grnd
	208	3	43	3 wire + Grnd
	220	3	38	3 wire + Grnd
	240	3	38	3 wire + Grnd
	480	3	19	3 wire + Grnd
	380/415	3	21	4 wire WYE + Grnd

Shipping Specifications:			
Width	35" [889 mm]	Crated Weight	435 lbs [197 kg]
Depth	46" [1168 mm]		480V Model: 478 lbs [217 kg]
Height	49" [1245 mm]	Uncrated Weight	380 lbs [172 kg]
Cube	46 ft ³ [1.3 m ³]		480V Model: 423 lbs [192 kg]

Computer Controller:

- 50 Programmable Menu Item Cooking Presets
- Cooking Temperature Range: Ambient to 350°F [177°C]
- High Limit Temperature: 425°F [220°C]
- Energy-saving Cool Mode - Force Filter feature - Triple Fire Safety Interlock

Capacity:

- Cooking Oil: 60 lbs [27 kg]
- Product: 19 lbs [9 kg] ... 8-way cut chicken

Included Accessories:

- | | | | |
|------------------------------|---|-----------------------|-------------------------|
| (1) Waste Oil Discharge Hose | (1) Heat-resistant Drain Clean-out Brush | (1) Stirring Utensil | (1) Pot Cover |
| (1) Heat-resistant Pot Brush | (1) L-Shaped Heat-resistant Element Brush | (1) Steel Crumb Scoop | (5) Sheets Filter Paper |

How To Specify: Model GEF-560

1 Electrical & WIFI Option: Specify [W] for KitchenTrac™ Choose Applicable Item Number

✓	Voltage	Hz	Ph	Load	Item Number	
	208	60	1	Delta	70898	70898W
	208	60	3	Delta	70897	70897W
	240	60	1	Delta	70900	70900W
	240-220	60	3	Delta	70899	70899W
	480	60	3	Delta	71530	71530W
	380-415	50	3	Wye	70917	70917W

2 Additional Accessories Purchased Separately: Specify Qty. & Part No. *Included w/Fryer

✓	Qty	Description	Part Number
		Fry Basket*	33703
		Filter Paper, Case of (100) sheets	60810
		Filter Powder, Case of (60) packets	72004
		Boil Out, Case of (4) 8-lb containers	72003

3 Shipping: Specify shipping method

Product specifications and/or designs are subject to change without notice. Such revisions do not entitle the purchaser to corresponding changes, improvements, additions or replacements for previously purchased equipment.

GILES 2750 Gunter Park Drive West • Montgomery, AL 36109 USA
334.272.1457 • Toll Free: 800.554.4537